

VP GLOBE PENDANT  
1969



VERPAN

# VP GLOBE PENDANT CHROME/RED/BLUE 1969

LIGHTING

## Description

Pendant made of transparent acrylic. Five reflectors inside.  
Suspended by three steel chains. Incl. ceiling canopy

## Material

Acrylic outer sphere, reflectors in polished aluminum with  
two accent colours (blue and red), suspended in steel chains.  
Ceiling canopy in chrome plated metal.

## Light source

Ø28: G9 (220V) max. 60W

Ø40: E14 (220V) max. 60W / E12 (220V) max. 60W

Ø50: E27 (220V) max. 60W / E26 (220V) max. 60W

IP20. Bulb is not included

## Cord

Black fabric 400 cm (157.5")

## Certifications

CE / UKCE / UL

## Product dimensions

Ø28 cm (11")

Ø40 cm (15.8")

Ø50 cm (19.7")

## Box dimensions

Ø28: 35 × 35 × 44 cm (13.7 × 13.7 × 17.3")

Ø40: 47 × 47 × 53 cm (18.5 × 18.5 × 20.9")

Ø50: 58 × 58 × 67 cm (19.7 × 19.7 × 26.3")

## Weight

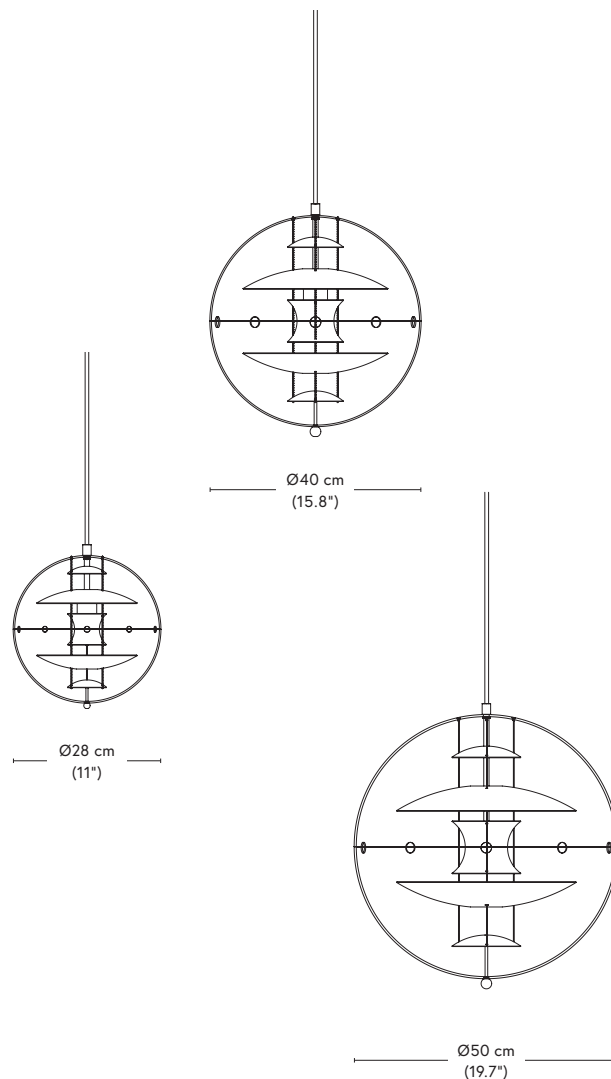
Ø28: 1,8 kg / 3 kg incl. packaging

Ø40: 4,5 kg / 6,2 kg incl. packaging

Ø50: 7,3 kg / 10 kg incl. packaging

## Colour

Chrome/Red/Blue



# VP GLOBE PENDANT COLOURED GLASS 1969

## Description

Pendant made of transparent acrylic. Five reflectors inside. Suspended by three steel chains. Incl. ceiling canopy

## Material

Acrylic outer sphere. Top, bottom and middle reflectors are made of polished aluminium with two accent colours (blue and red). Big reflectors are made of hand polished and hand painted smoke coloured glass, suspended in steel chains. Ceiling canopy in chrome plated metal.

## Light source

Ø40: E14 (220V) max. 60W / E12 (220V) max. 60W  
IP20. Bulb is not included

## Cord

Black fabric 400 cm (157.5")

## Certifications

CE / UKCE / UL

## Product dimensions

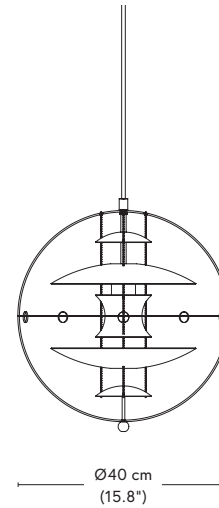
Ø40 cm (15.8")

## Box dimensions

Ø40: 47 × 47 × 53 cm (18.5 × 18.5 × 20.9")

## Weight

Ø40: 4,5 kg / 6,2 kg incl. packaging



# VP GLOBE PENDANT BRUSHED ALU/ORANGE 1969

## Description

Pendant made of transparent acrylic. Five reflectors inside.  
Suspended by three steel chains. Incl. ceiling canopy

## Material

Acrylic outer sphere, reflectors in brushed aluminum with  
one accent colour (orange), suspended in steel chains.  
Ceiling canopy in chrome plated metal.

## Light source

Ø40: E14 (220V) max. 60W / E12 (220V) max. 60W  
IP20. Bulb is not included

## Cord

Black fabric 400 cm (157.5")

## Certifications

CE / UKCE / UL

## Product dimensions

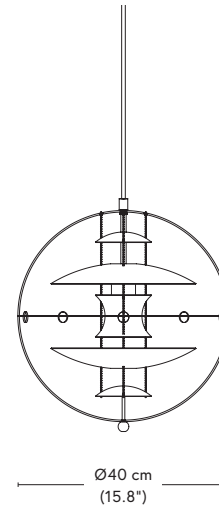
Ø40 cm (15.8")

## Box dimensions

Ø40: 47 × 47 × 53 cm (18.5 × 18.5 × 20.9")

## Weight

Ø40: 4,5 kg / 6,2 kg incl. packaging



# VP GLOBE PENDANT BRASS/RED/BLUE 1969

## Description

Pendant made of transparent acrylic. Five reflectors inside. Suspended by three steel chains. Incl. ceiling canopy

## Material

Acrylic outer sphere, reflectors in brass plated aluminum with two accent colour (blue and red), suspended in steel chains. Ceiling canopy in brass plated metal.

## Light source

Ø40: E14 (220V) max. 60W / E12 (220V) max. 60W  
IP20. Bulb is not included

## Cord

Black fabric 400 cm (157.5")

## Certifications

CE / UKCE / UL

## Product dimensions

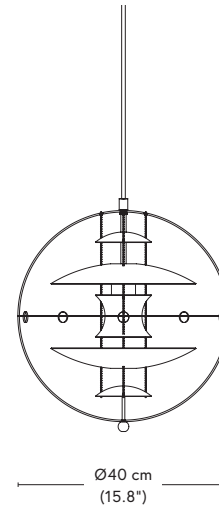
Ø40 cm (15.8")

## Box dimensions

Ø40: 47 × 47 × 53 cm (18.5 × 18.5 × 20.9")

## Weight

Ø40: 4,5 kg / 6,2 kg incl. packaging



# VP GLOBE PENDANT OPAL GLASS 1969

LIGHTING

## Description

Pendant made of transparent acrylic. Five reflectors inside. Suspended by three steel chains. Incl. ceiling canopy

## Material

Acrylic outer sphere, reflectors in hand blown opal white glass, suspended in steel chains. Ceiling canopy in chrome plated metal.

## Light source

Ø40: E14 (220V) max. 60W / E12 (220V) max. 60W  
Ø50: E27 (220V) max. 60W / E26 (220V) max. 60W  
IP20. Bulb is not included

## Cord

White fabric 400 cm (157.5")

## Certifications

CE / UKCE / UL

## Product dimensions

Ø40 cm (15.8")

Ø50 cm (19.7")

## Box dimensions

Ø40: 47 × 47 × 53 cm (18.5 × 18.5 × 20.9")

Ø50: 58 × 58 × 67 cm (19.7 × 19.7 × 26.3")

## Weight

Ø40: 4,5 kg / 6,2 kg incl. packaging

Ø50: 7,3 kg / 10 kg incl. packaging

